



Testing Winds

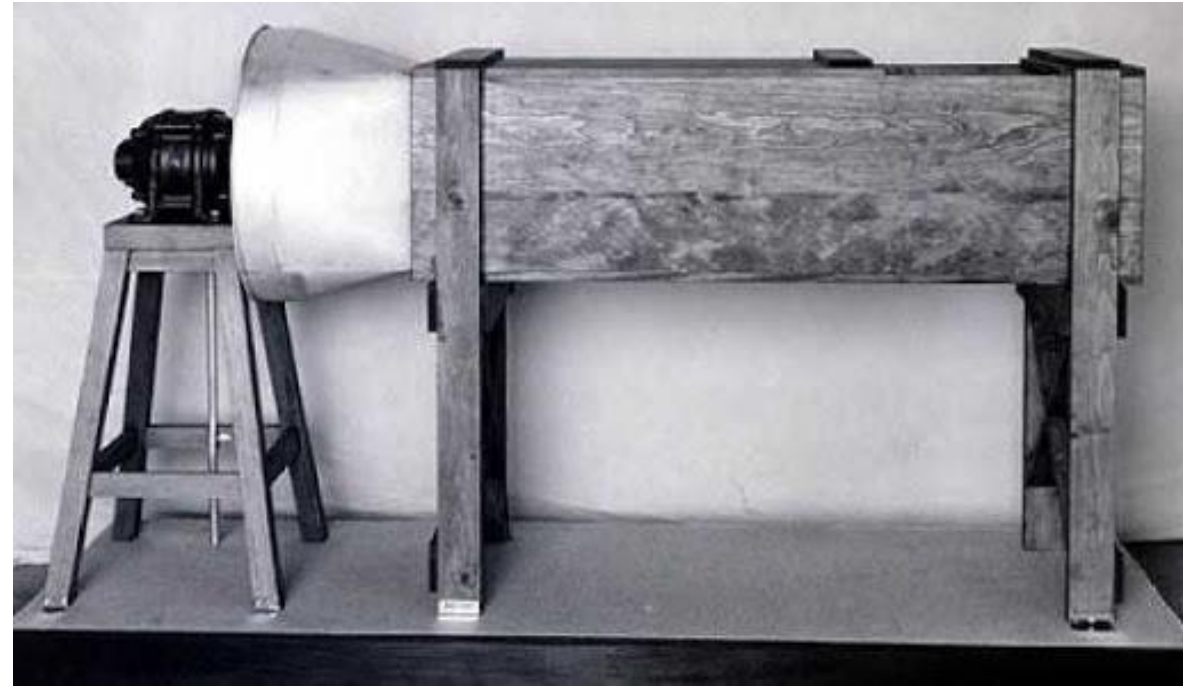
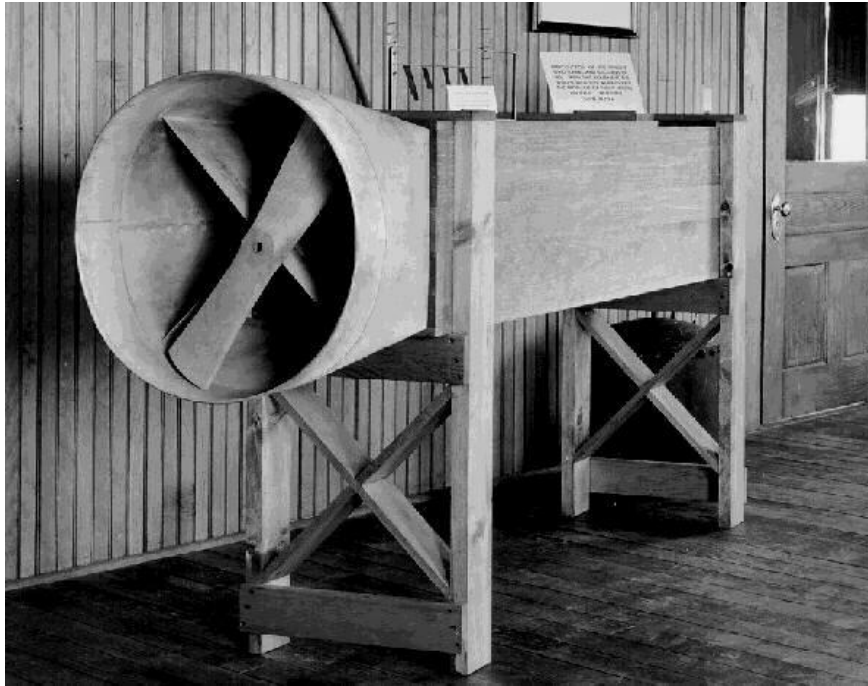
John Sebastian

College of Engineering
Trivandrum
2 April 2017

2johnsebastian@gmail.com



Wright Brothers' Wind Tunnel, 1901

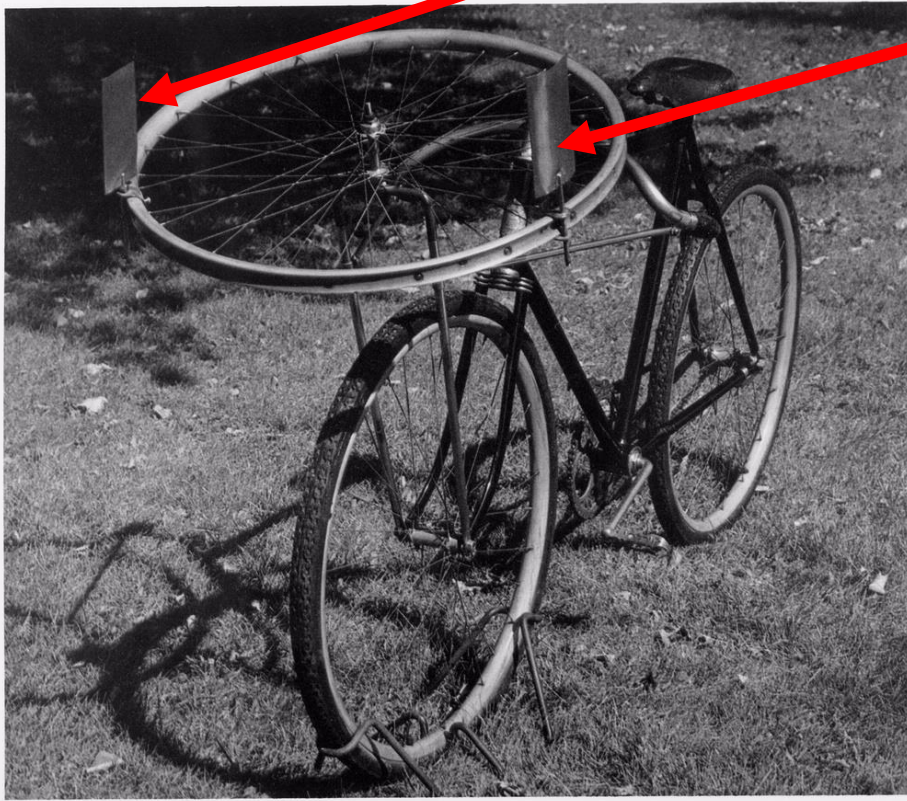




Wright brothers' Lift

Flat Plate

Airfoil





MIT's AeroAstro Wind Tunnel

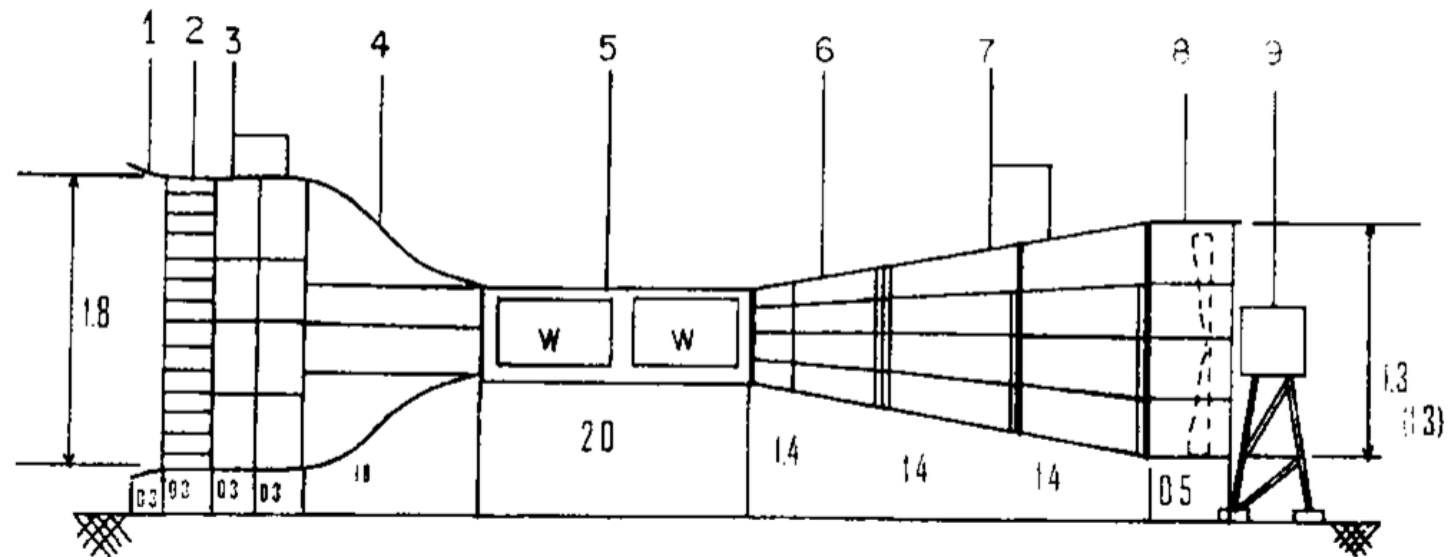


That's Mark Drela!



Subsonic Wind Tunnel at CET

SCHEMATIC DIAGRAM OF
WIND TUNNEL





Practical Session

Thank you!

See you in Fluid Dynamics Lab II in 15 minutes!